

## Gentle and smooth.

### Temco Guide Rollers

The extremely smooth-running Temco Guide Rollers are suitable for all processes, where low-tension forces and gentle yarn guidance are required.

The portfolio of guide rollers guarantees smooth running for thread and tape guidance in textile and technical applications.

#### Range of application

The most important applications of the guide rollers are in high-speed processes like the spin draw texturing process BCF as well as the FDY or SDY process for the technical yarn area.

#### Variations

All guide rollers are supplied with yarn-friendly and highly wear resistant ceramic coating. Multi-thread versions are also possible and on customer request, the mounting shaft can be adapted accordingly.

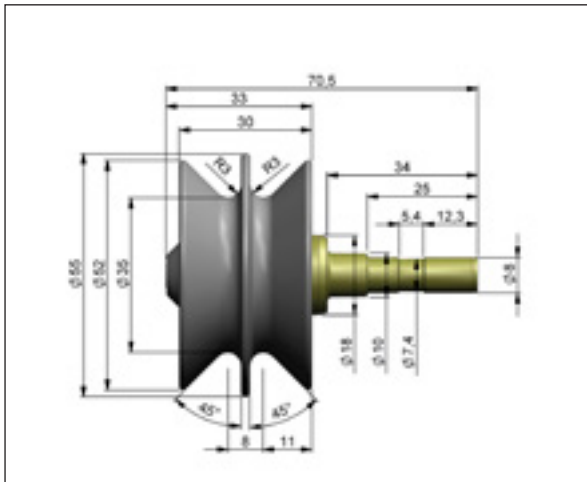


---

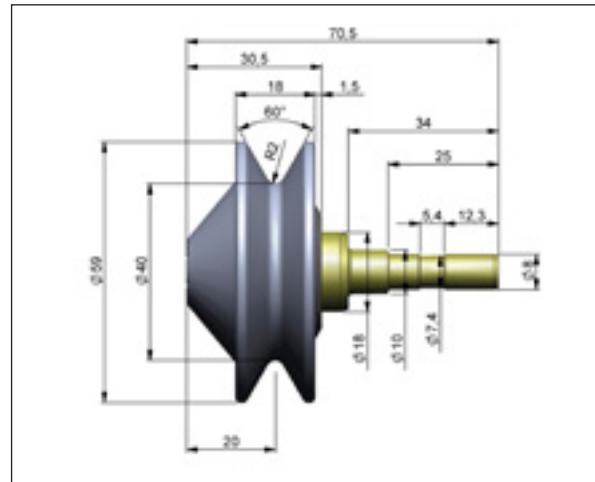
#### Features and benefits

- Applicable up to 5 000 m/min without any restriction
- Very smooth running due to the integrated bearing construction
- Considerably longer service life due to the modified bearing construction and wear resistant ceramic coating
- Previous types are interchangeable due to the similar connection geometry

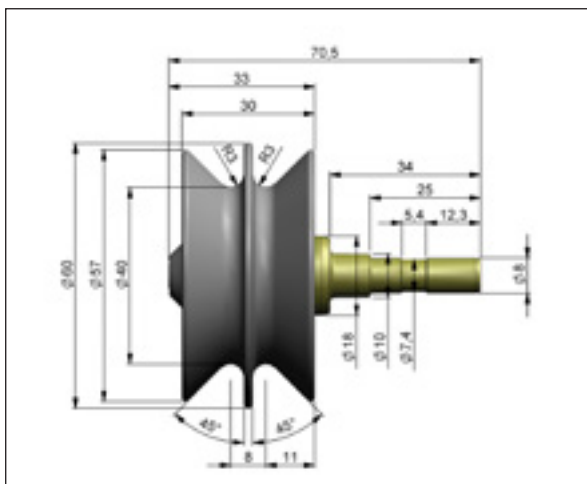
## Types



FR3530-02



FR4018-01



FR4030

## Operational data

Type	Max. yarn speed [m/min]	Max. yarn temp. [°C]	Dyn. load rating C per bearing [kN]	Mounting specification d × l [mm]	Surface	D [mm]	L [mm]	Groove (distance)
FR3530-02	4 400	70	0.98	∅ 8 × 25	ceramic	∅ 35	30	2 (8)
FR4018-01	5 000	70	0.98	∅ 8 × 25	ceramic	∅ 40	18	1
FR4030	5 000	70	0.98	∅ 8 × 25	ceramic	∅ 40	30	2 (8)