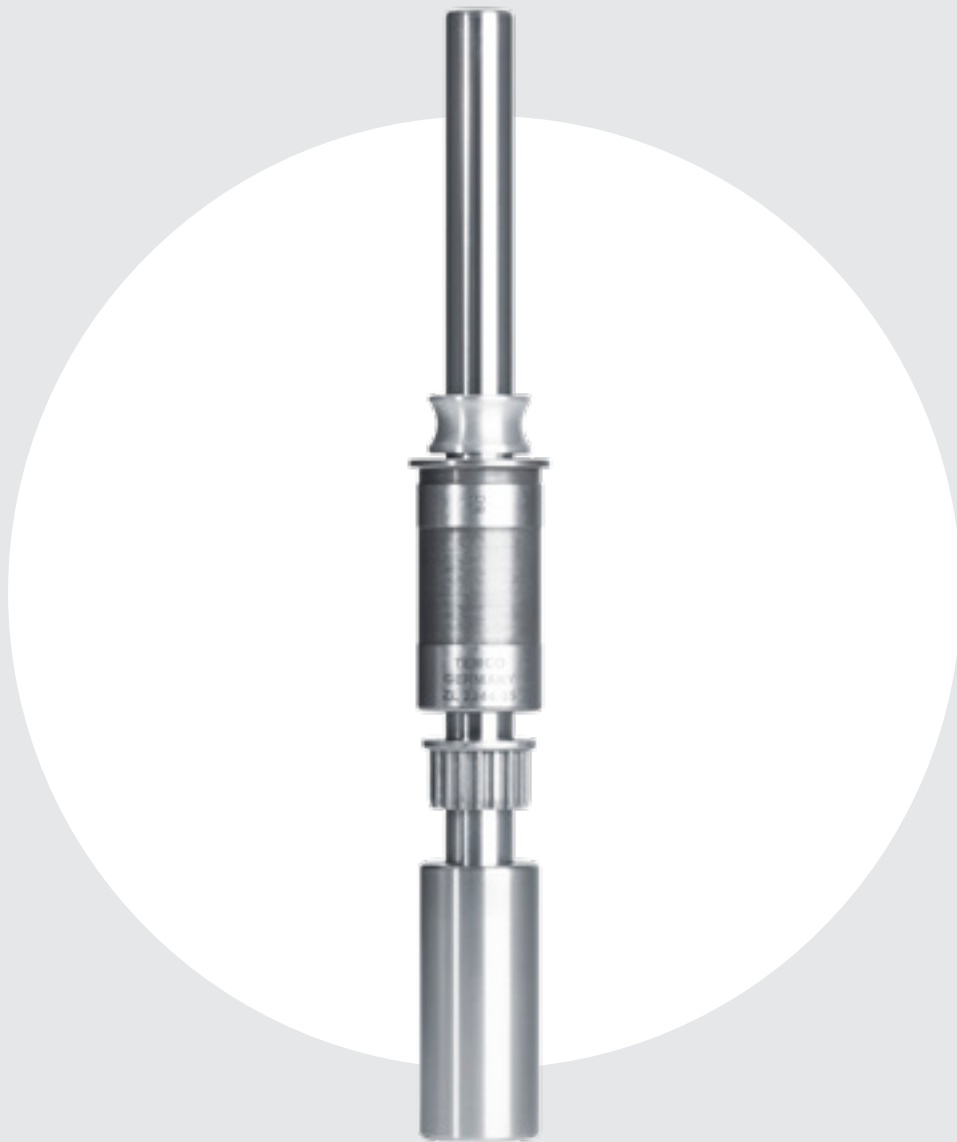


SAURER.

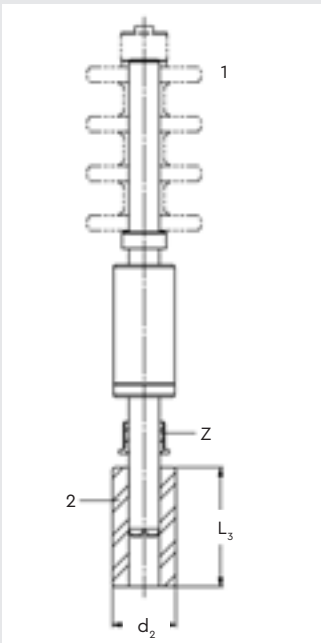


Types, sizes, surfaces.

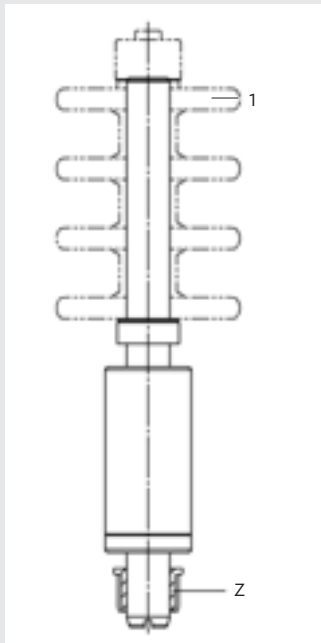
Temco Bearing Assemblies LAG

Bearing assemblies LAG

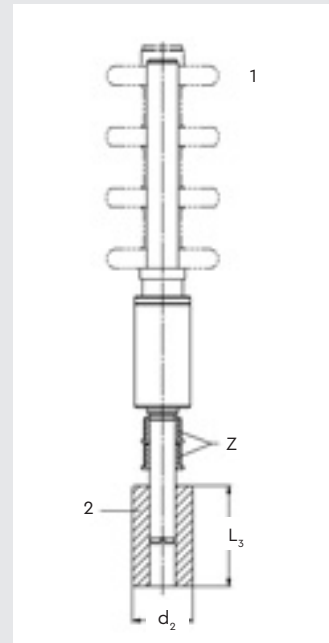
Bearing assemblies designs – tangential belt drive



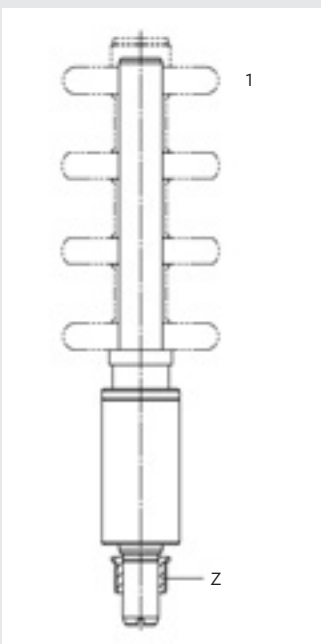
Design A



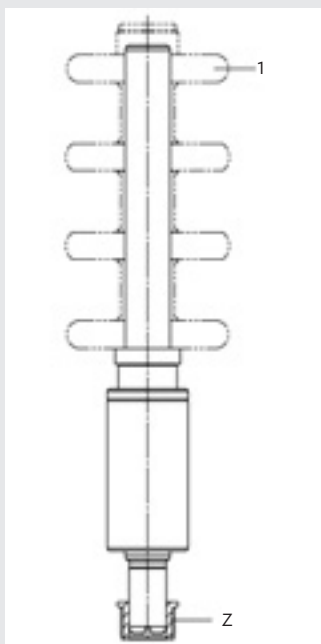
Design B



Design C



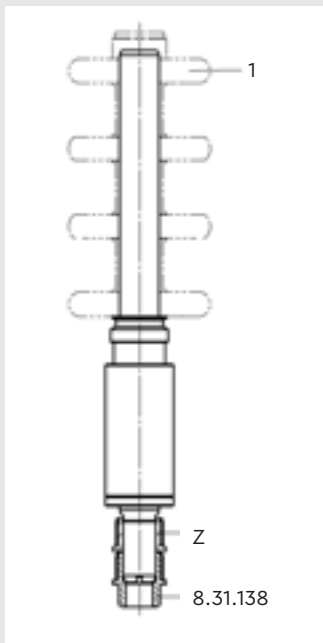
Design D



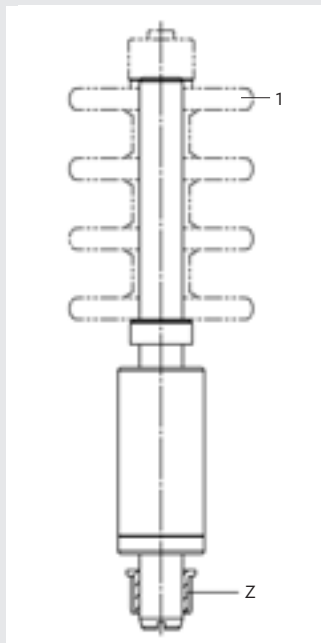
Design E

1 Friction/yarn guide discs
 2 Driving whorl – specification on request

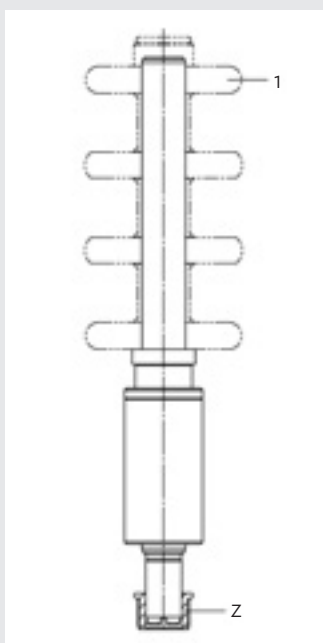
Bearing assemblies designs – motor drive



Design A

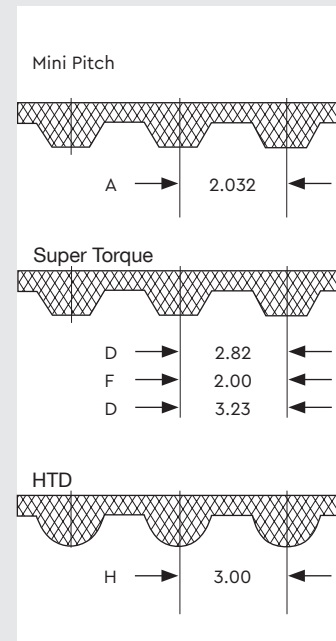


Design B

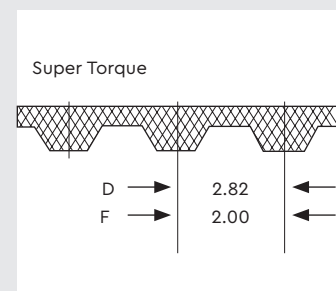


Design C

Timing belts – profiles and spacings belt drive*



Timing belt – profile and spacing motor drive*

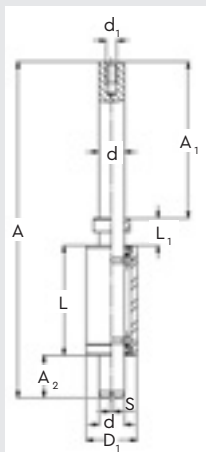


* [mm]

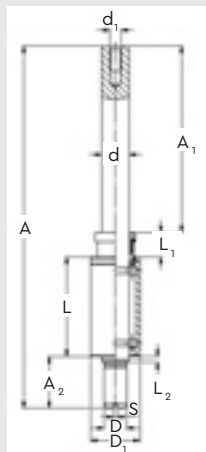
- 1 Friction/yarn guide discs
- 2 Driving whorl – specification on request

Bearing assemblies LAG

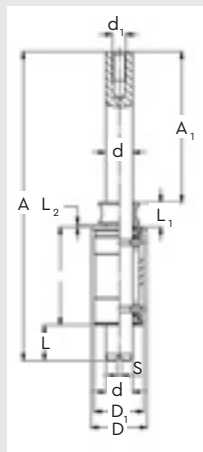
Journal bearings designs – tangential belt drive



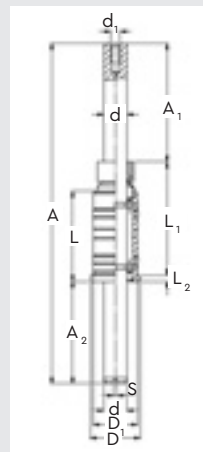
Design 1 (ZL)



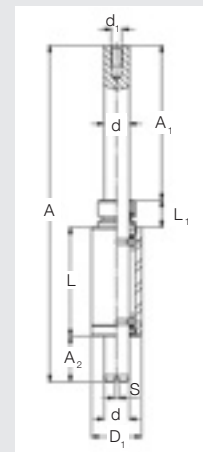
Design 2 (ZL)



Design 3 (ZL)



Design 4 (ZL)

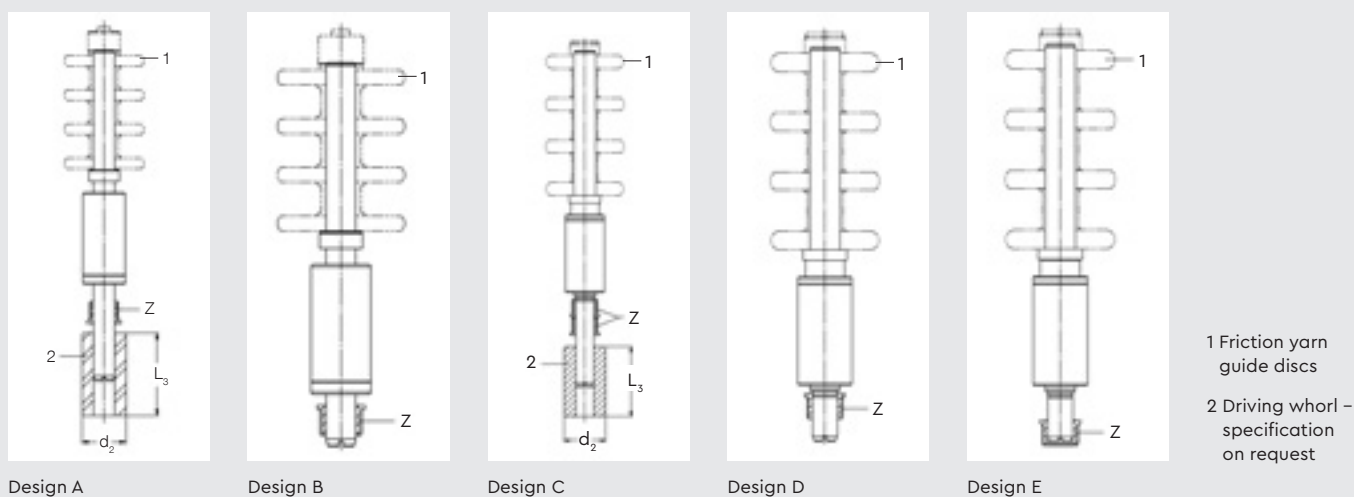


Design 5 (ZL)

Overview ZL

Type	Design	Dimensions [mm]										
		d	d ₁	D	D ₁	A	A ₁	A ₂	L	L ₁	L ₂	S
ZL2452	1	12.00	M6	24.00	154.00	68.00	21.00	52.0	13.0			2
ZL2452-01	1	12.00	M6	24.00	188.00	68.00	55.00	52.0	13.0			2
ZL2452	1	12.00	M6	24.00	154.00	68.00	21.00	52.0	13.0			2
ZL2452-01	1	12.00	M6	24.00	188.00	68.00	55.00	52.0	13.0			2
ZL2452-38	1	12.00	M6	24.00	173.00	87.00	21.00	52.0	13.0			2
ZL2452-37	1	12.00	M6	24.00	207.00	87.00	55.00	52.0	13.0			2
ZL2652-17	2	14.45	M6	12	26.00	189.50	97.50	24.00	52.0	13.0	3.0	2
ZL2652-18	2	14.45	M6	12	26.00	226.00	97.50	60.50	52.0	13.0	3.0	2
ZL2652-19	2	14.45	M6	12	26.00	226.00	97.50	60.50	52.0	13.0	3.0	2
ZL2347-06	4	12.00	M5	26	22.98	176.50	61.50	53.00	43.8	59.0	3.0	2
ZL2347-07	4	12.00	M5	26	22.98	137.00	61.50	13.50	43.8	59.0	3.0	2
ZL2347-08	4	12.00	M5	26	22.98	176.50	61.50	53.00	43.8	59.0	3.0	2
ZL2347-09	4	12.00	M5	26	22.98	137.00	61.50	13.50	43.8	59.0	3.0	2
ZL2849	1	12.00	M5	27.98	168.50	90.50	16.00	49.3	12.7			2
ZL2849-01	1	12.00	M5	27.98	209.00	90.50	56.50	49.3	12.7			2
ZL2552-18	5	12.00	M6	25.00	182.70	97.50	15.70	52.0	17.5			2
ZL2552-21	5	12.00	M6	25.00	232.00	97.50	65.00	52.0	17.5			2
ZL2552-19	5	12.00	M6	25.00	195.00	97.50	28.00	52.0	17.5			2

Bearing assemblies designs - tangential belt drive

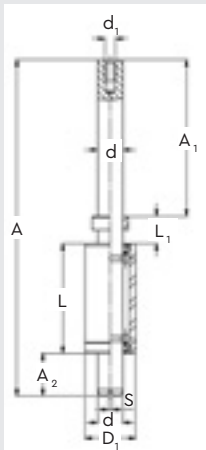


Overview LAG

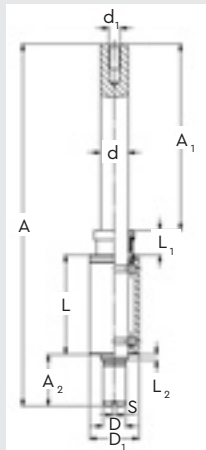
Bearing Assemblies		Timing gear		Driving whorl		Timing belt			Application fields	
Key No.	Design	Key No.	Tooth Z	Key No.	d ₂ [mm]	L ₃ [mm]	Key No.	Profile/Pitch	Width [mm]	Friction units
For Temco friction units										
LAG12.127	B	8.31.65	26							FTS4712, FTS4715
LAG12.128	A	8.31.65	26	8.14.271	25	47	8.80.076/1	A	9.53	FTS 4712
LAG12.270	A	8.31.65	26	8.14.289	28	47.0	8.80.083/1	A	9.53	FTS4715
LAG12.332	B	8.31.94	20				8.801.055		8.00	FTS4461 (6mm FS)
LAG12.333	A	8.31.94	20	8.14.329	38	52.0	8.801.055	D	8.00	FTS4461 (6mm FS)
LAG12.481	B	8.31.94	20				8.801.055	D	8.00	FTS4461 (9mm FS)
LAG12.482	A	8.31.94	20	8.14.329	38	52.0	8.801.055	D	8.00	FTS4461 (9mm FS)
LAG12.400	D	8.31.105	28				8.805.065	F	8.00	FTS52RF, FTS52RK
LAG12.401	E	8.31.105	28				8.805.065	F	8.00	FTS52RF, FTS52RK
LAG12.399	C	8.31.105	28	8.14.289	28	47.0	8.805.065	F	8.00	FTS52RF
LAG12.412	C	8.31.105	28	8.14.289	28	47.0	8.805.065	F	8.00	FTS52RK
Friction units from other manufacturers										
LAG12.310		8.31.93	20	8.14.293	28	44.8	8.803.058	H	6.00	BARMAG Typ 6
LAG12.309		8.31.92	20			44.8	8.803.058	H	6.00	BARMAG Typ 6
LAG12.461		8.31.93	20	8.14.293	28	45.0	8.803.058	H	6.00	BARMAG Typ 7
LAG12.460		8.31.92	20				8.803.058	H	6.00	BARMAG Typ 7
LAG12.472		8.31.92	20				8.803.057	H	6.00	BARMAG Typ 8
LAG12.473		8.31.93	20	8.14.293	28	44.8	8.803.057	H	6.00	BARMAG Typ 8
LAG12.524		8.31.105	28		28	44.8	8.805.065	F	8.00	FTS53R BARMAG
LAG12.528		8.31.105	28	8.14.330	28	47.0	8.805.065	F	8.00	FTS53R BARMAG
LAG12.533		8.31.105	28		28	47.0	8.805.065	F	8.00	FTS53R BARMAG

Bearing assemblies LAG

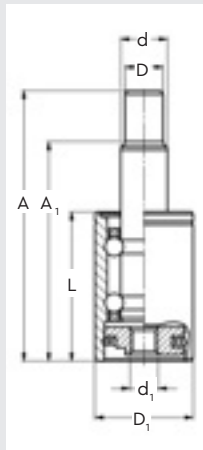
Journal bearings designs - motor drive



Design 1 (ZL)



Design 2 (ZL)

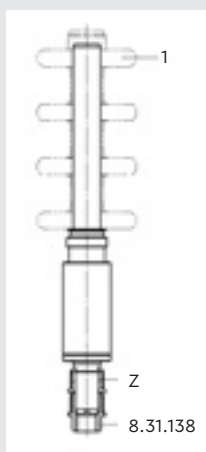


Design 3 (SL)

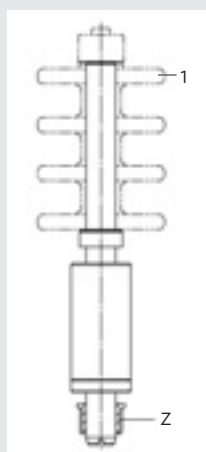
Overview ZL

Type	Design	Dimensions [mm]										
		d	d ₁	D	D ₁	A	A ₁	A ₂	L	L ₁	L ₂	S
ZL2552-07	2	14.45	M6	12	25.00	183.2	97.5	13.2	52.0	17.5	3	2
ZL2552-08	2	14.45	M6	12	25.00	195.0	97.5	25.0	52.0	17.5	3	2
ZL2849	1	12	M5		27.98	168.5	90.5	16.0	49.3	12.7		2
ZL2552-18	2	12	M6	12	25.00	182.7	97.5	15.7	52.0	17.5		2
ZL2552-19	2	12	M6	12	25.00	195.0	97.5	28.0	52.0	17.5		2
ZL2552-20	2	12	M6	12	25.00	222.5	97.5	55.5	52.0	17.5		2

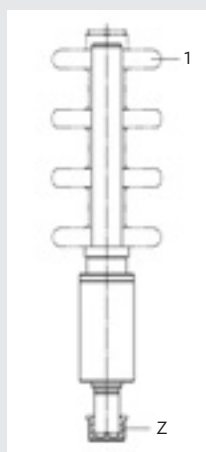
Bearing assemblies designs - motor drive



Design A



Design B



Design C

1 Friction/yarn guide discs
2 Driving whorl - specification on request

Overview LAG

Bearing Assemblies		Timing gear		Timing belt			Application fields
Key No.	Design	Key No.	Tooth number (Z)	Key No.	Profile/ Pitch	Width [mm]	Friction units
For Temco friction units							
LAG12.474	B	8.31.105	28	8.805.065	F	8	FTS522M, FTS523M FTS524M, FTS525M
LAG12.475	C	8.31.105	28	8.805.065	F	8	FTS522M, FTS523M FTS524M, FTS525M
LAG12.476	A	8.31.105	28	8.805.065	F	8	FTS522M, FTS523M
Friction units from other manufacturers							
LAG12.472				8.803.057			BARMAG Typ 8
LAG12.524	B	8.31.105	28	8.805.065	F	8	FTS53M BARMAG
LAG12.525	C	8.31.105	28	8.805.065	F	8	FTS53M BARMAG
LAG12.543	A	8.31.105	28	8.805.065	F	8	FTS53M BARMAG

Saurer Technologies GmbH & Co. KG
Engineered Bearing Solutions
Fuldaer Str. 19
97762 Hammelburg
Germany
T +49 9732 87 0
F +49 9732 87 310
sales.bearings@saurer.com

Saurer (JiangSu) Textile Machinery
Company Limited
Shanghai Branch Company
36F, Tower B, The HQ
No. 100 Zunyi Road
Shanghai 200051
P. R. China
T +86 21 22262500
F +86 21 22262512
saurer.com