

**SAURER.**

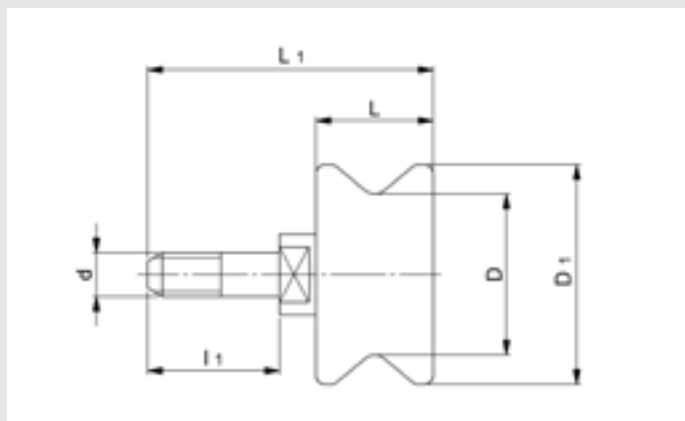


**Types, sizes, surfaces.**

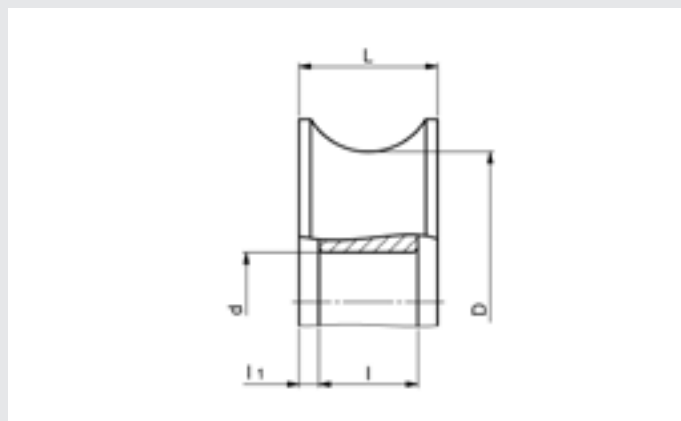
**Temco Guide Rollers FR Series**

# Guide rollers FR series

## Guide rollers figures



Mounting type 1



Mounting type 2

## Overview

Type	Max. yarn speed [m/min]	Max. yarn temp. [°C]	Max. radial load [N]	Mounting type	Dimensions [mm]				Mounting specification d x l <sub>1</sub> [mm]	Surface	Groove (distance)	
					D (∅)	L	D <sub>1</sub>	L <sub>1</sub>				
FR1507-01**	1000	70	55	2	15.2	7.0			5	∅5×1	Steel	1
FR1930	1000	80	80	1	19.0	30.0	32	46.00		M6×16	Ceramic	1
FR2016	1200	70	50	1	20.0	15.0	40	23.80		∅5.4×8	Ceramic	1
FR2016-02	630	70	14	1	20.0	16.0	24	31.00		∅11×16	HC	4 (3)
FR2330	600	70	120	1	23.0	30.0	41	55.85		M8×16	Ceramic	1
FR2330-01	600	70	120	1	23.0	30.0	41	61.70		M5×25	Ceramic	1
FR3530-02**	4400	70	45	1	35.0	30.0	55	70.50		∅8×25	Ceramic	2 (8)
FR4018-01**	5000	70	45	1	40.0	18.0	59	70.50		∅8×25	Ceramic	1
FR4030	5000	70	45	1	40.0	30.0	60	70.50		∅8×25	Ceramic	2 (8)

\*\* = Standard